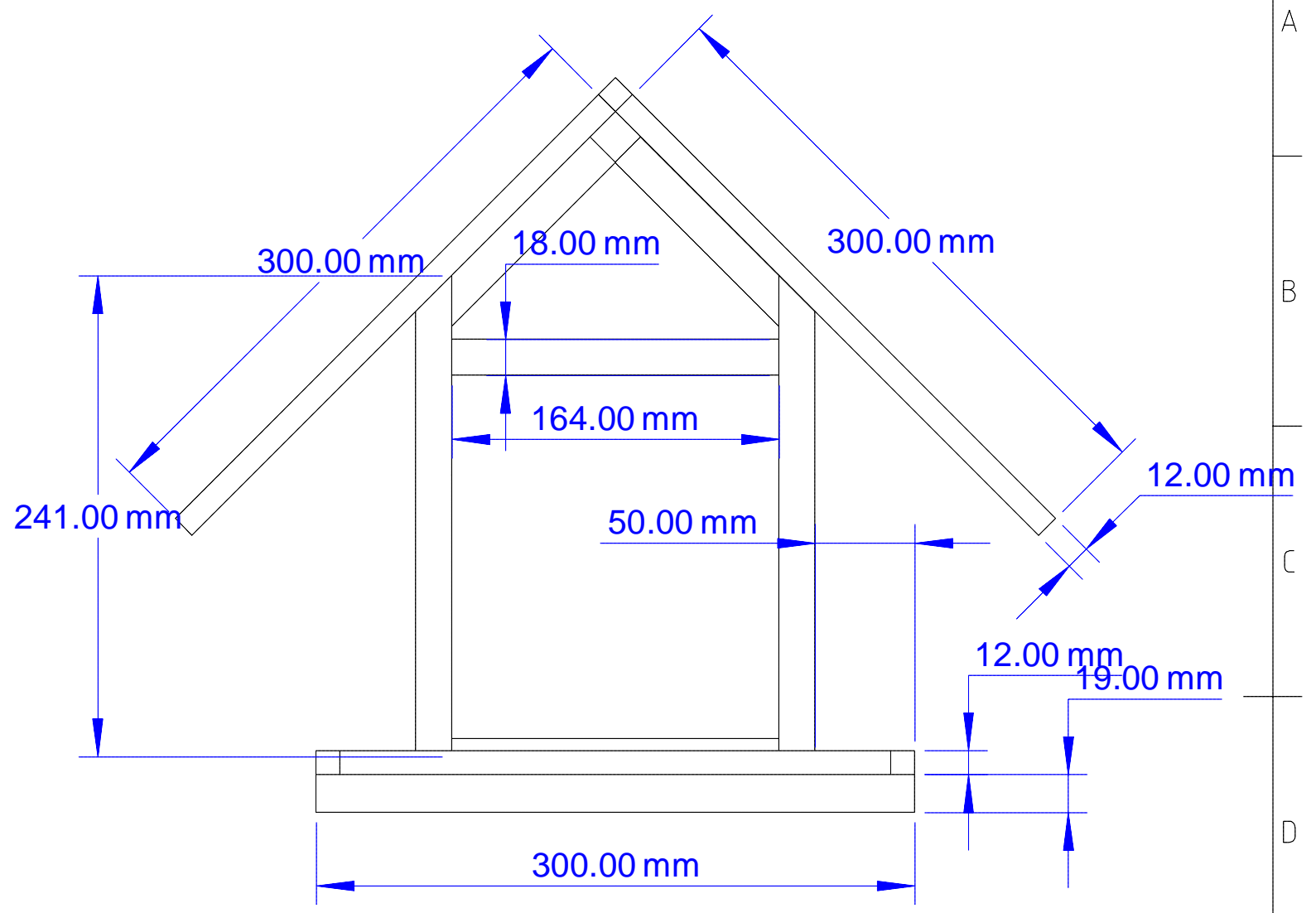
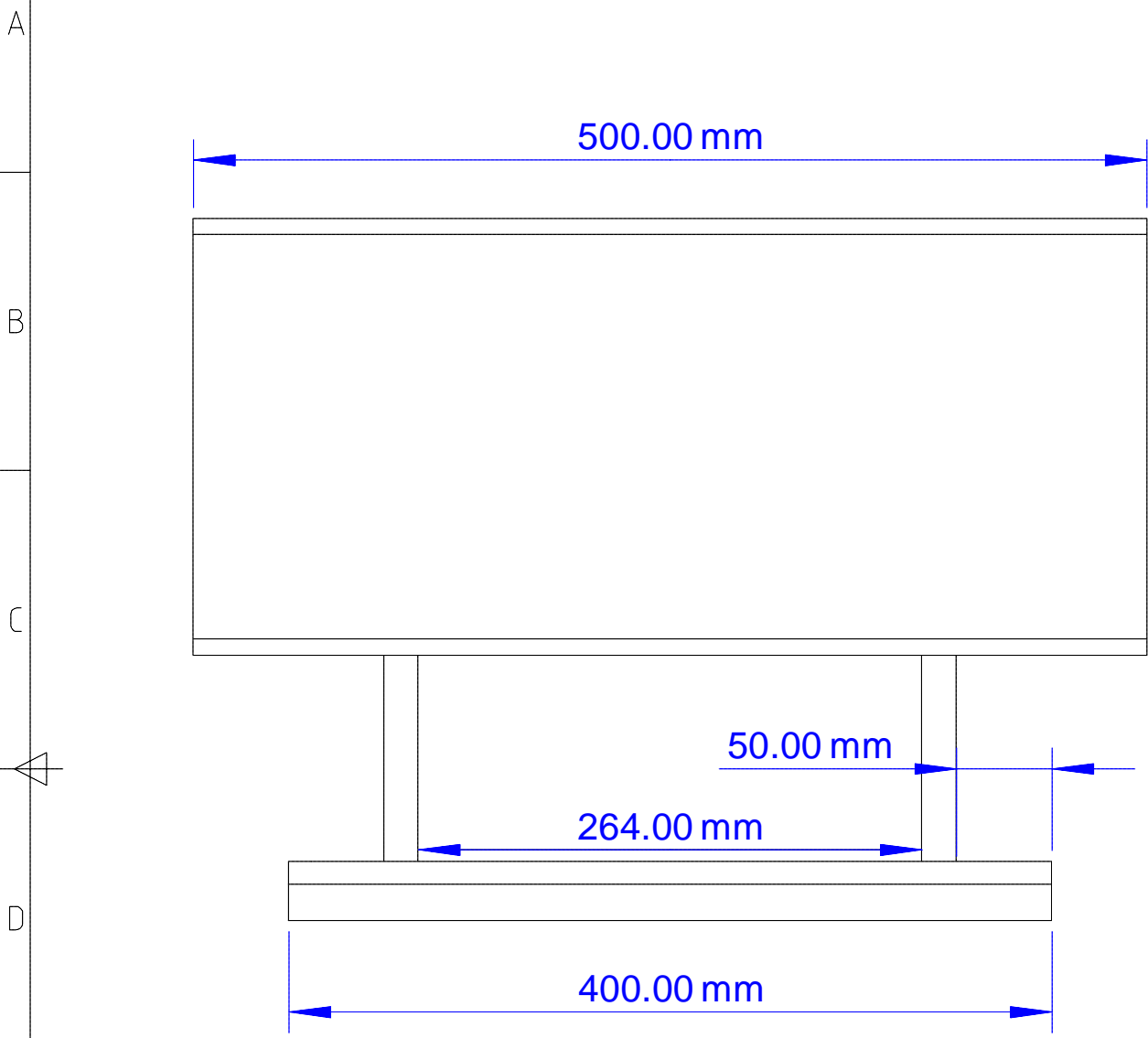


1 2 3 4 5 6 7 8

RevNo	Revision note	Date	Signature	Checked



FILE NAME	welso_033	FSCM NO	SHEET	3/5	SCALE	nts
SIZE	A3	Wells Wood Working				
DRAWN	D. Wells					Bird Feeder
CHECK	D. Wells					Dimensions - Top
ISSUED	D. Wells					
REV	A	DWG NO				
CONTRACT NO						

1 2 3 4 5 6 7 8

This document was created with Win2PDF available at <http://www.win2pdf.com>.
The unregistered version of Win2PDF is for evaluation or non-commercial use only.
This page will not be added after purchasing Win2PDF.